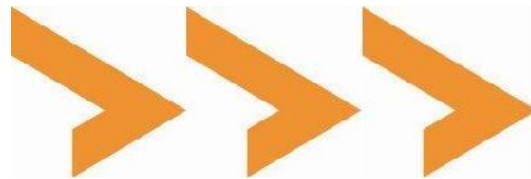




Data acquisition systems





HARDWARE



Tellus

“Plug and record” data recorder

- No configuration (No PC needed)
- Ultra Low power : < 200 mW
- 3 channels
- 3 months continuous recording
- MiniSEED
- GPS timing
- GSM(SMS) / Radio Modem
- Very low cost station (2000 euros)





KEPHREN (BB)

Embedded algorithms

Multi channel
Very high dyn.

$F_s = 1\text{Hz to } 2\text{ KHz}$



Local or Remote
GPS

ADSL, Sat, WiFi,
PSTN, GSM

Linux

HTTP, FTP, SL...

Low power



KEPHREN (BB)



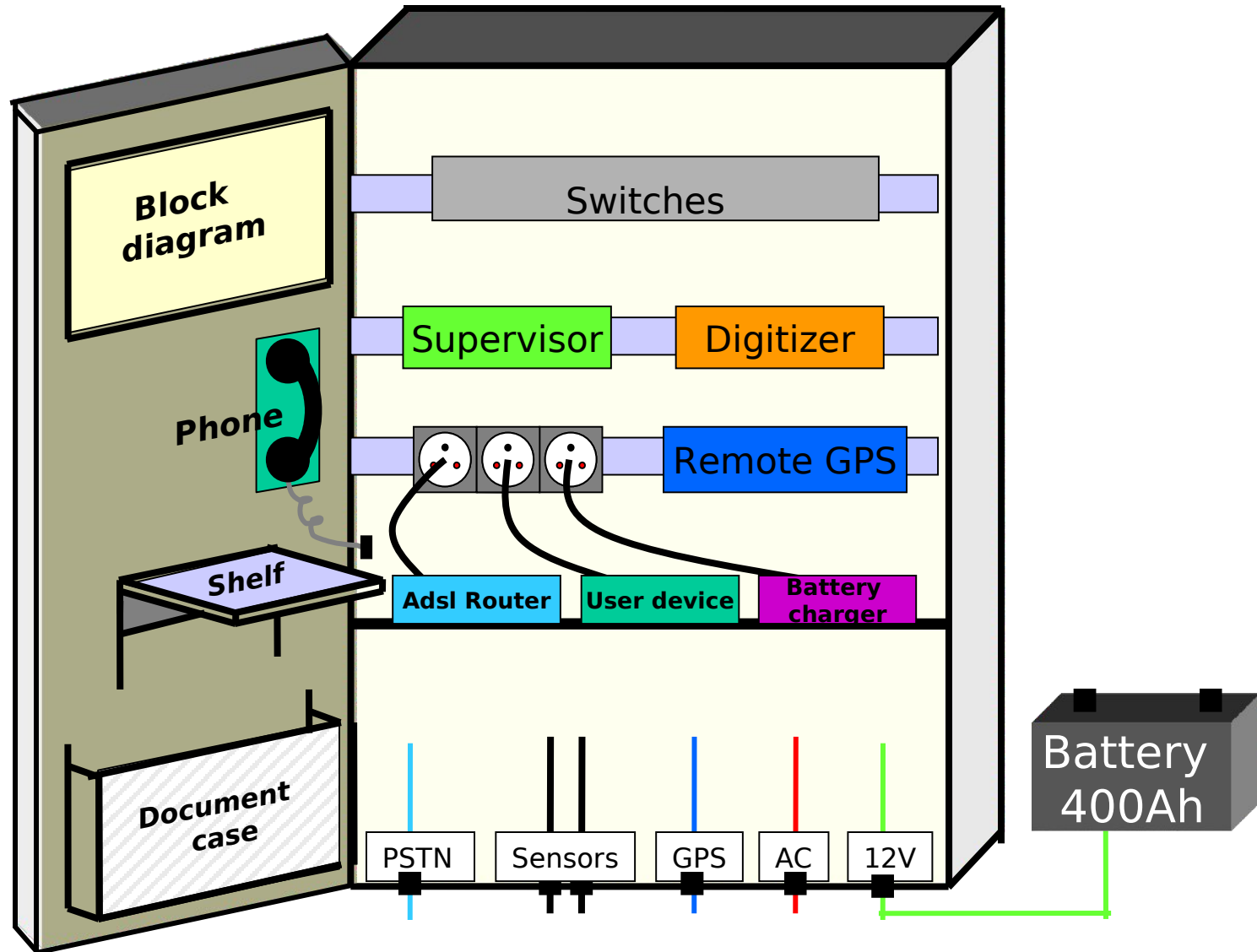


Permanent stations

- Need to be wall mounted instead of being mobile
- Active storm detection
- No connector (cables need to pass cable glands, tubes ...)
- GPS connection over more than 1km
- Remote reset of ADSL/satellite modem, digitizer...
- Backup connection over regular phone line
- Main power backup
- Remote control of switches (external devices) over phone line

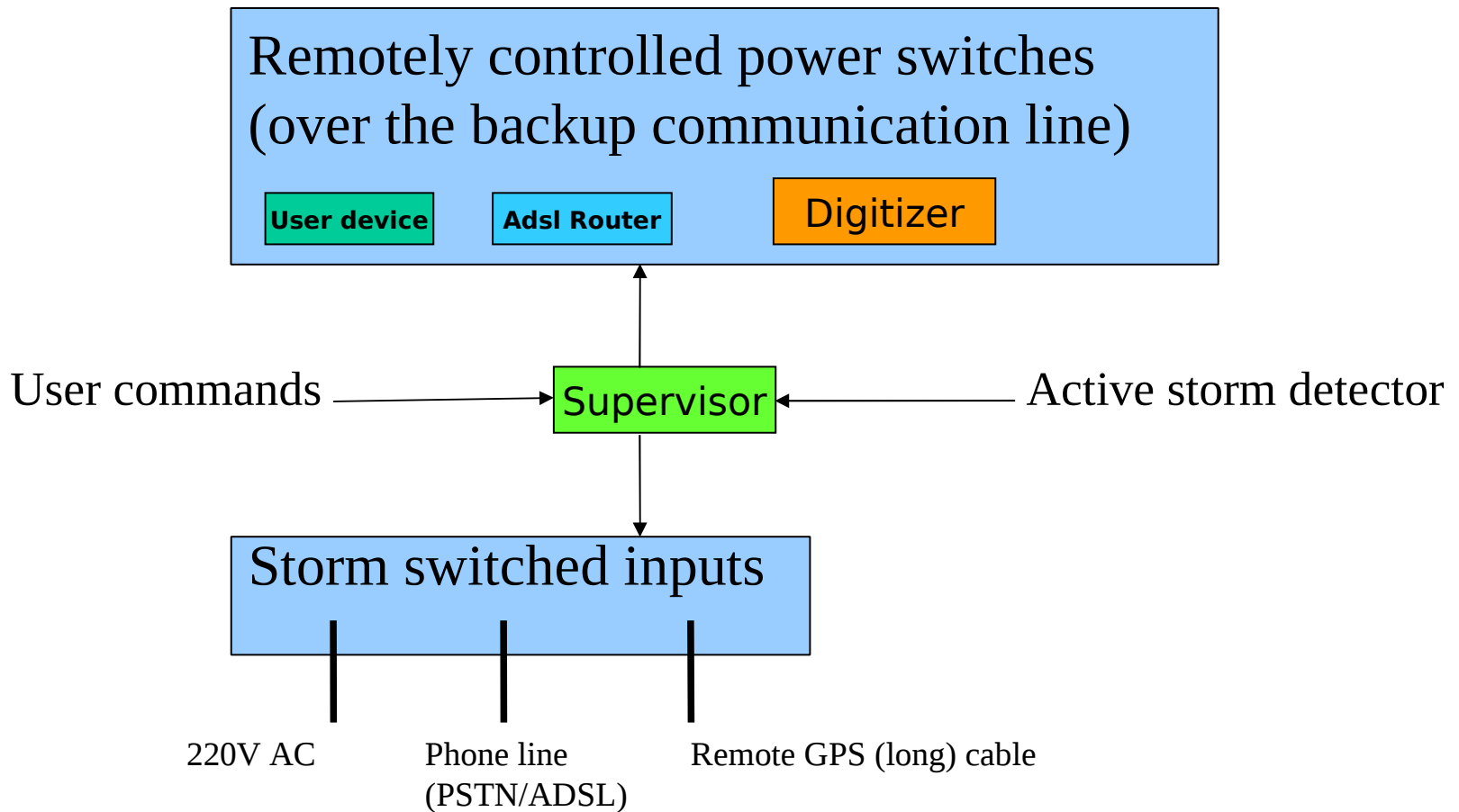


Permanent station



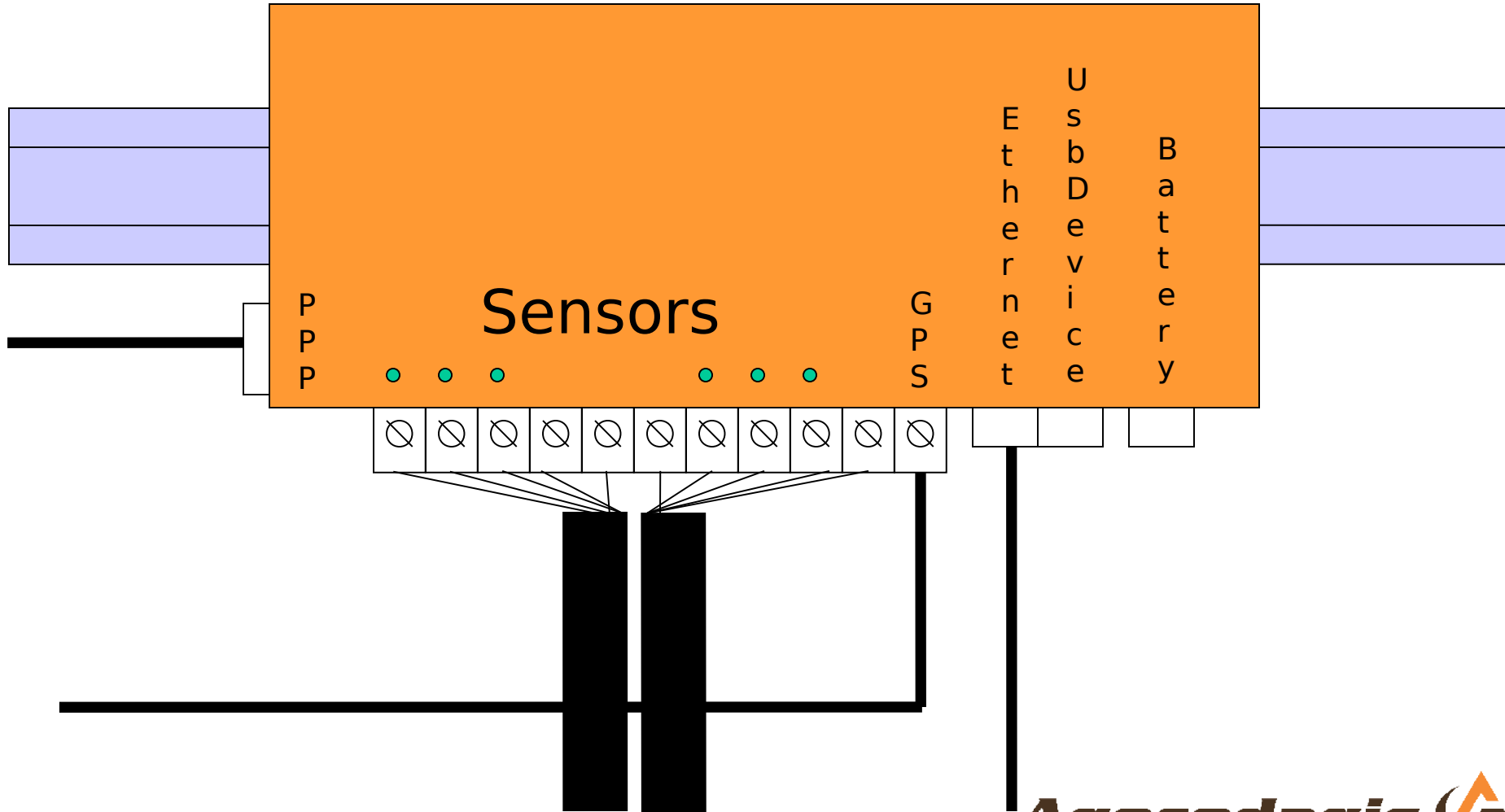


Permanent station





Permanent station (Digitizer)



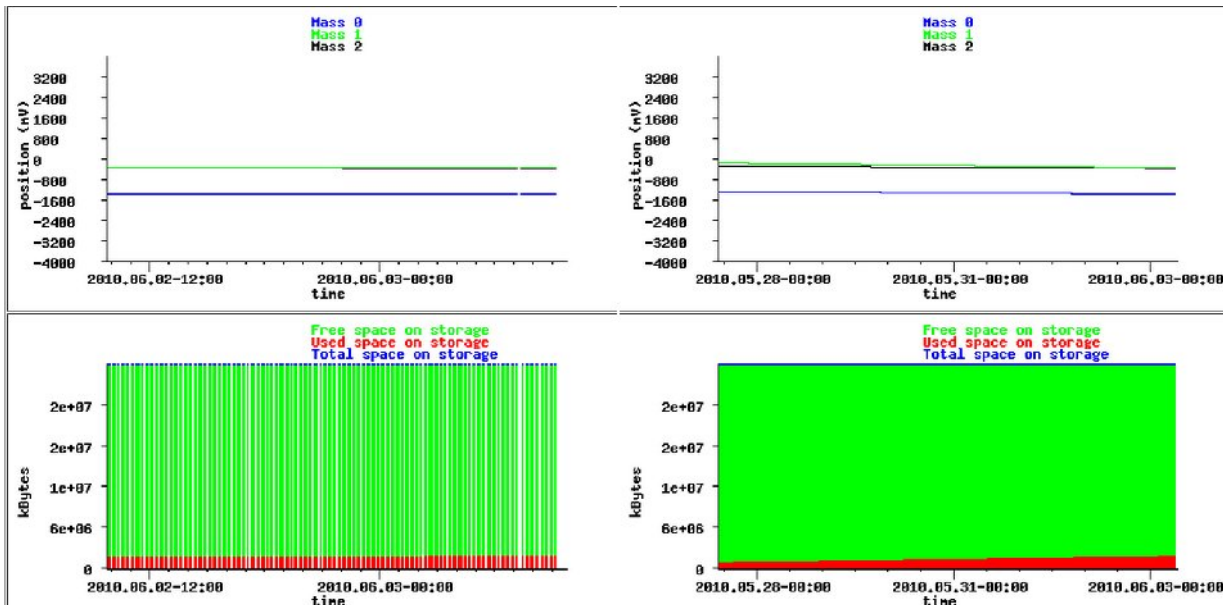
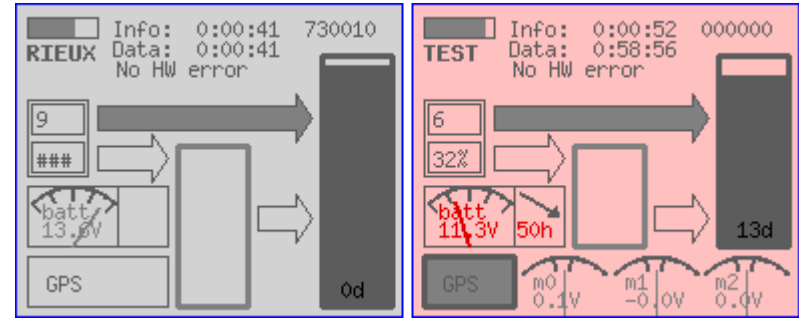


SOFTWARE



OMNI (Array management)

- Management of parameters
- Failure detection
- Failure forecast
- Data selection
- Analysis of the evolution of internal states





User support



Services

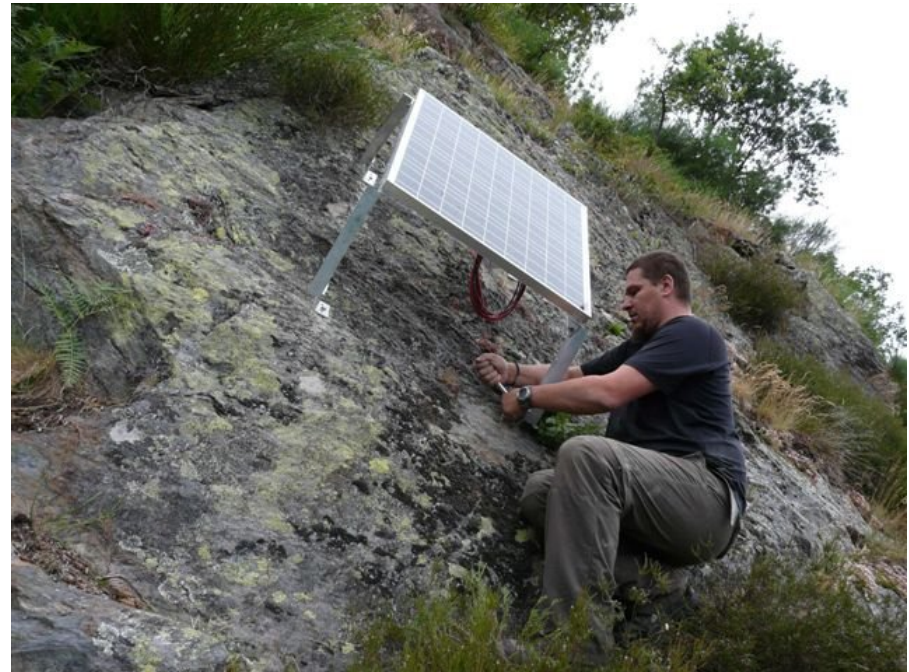
- Development of solutions for special cases (GPS broadcast over optical fiber in the LSBB, GPS connection in the Moulis cave, digital sensor interfaces (P/T ...))
- Long range WiFi connection (14km over the Corinth gulf, several km in the Alps for avalanche monitoring)
- Technical support, hot line





Services

- Hardware renting
- On-site installation (Rustrel, Moulis, Melles)
- Site monitoring
- Data supply





Our references

